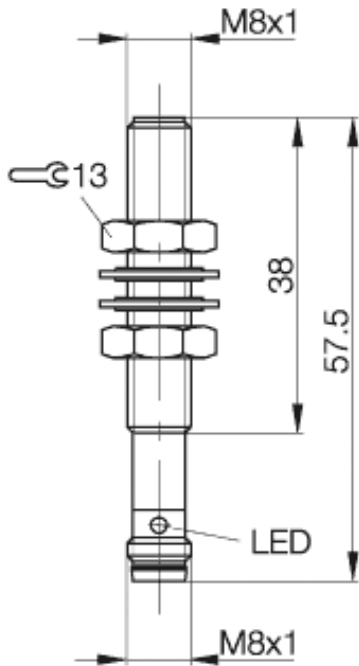


**Photoelectric Sensor**  
**BOS 08M-X-RS10-S49**  
**Sn=1100mm**  
**through-beam, transmitter**



PX1925

**Common Data**

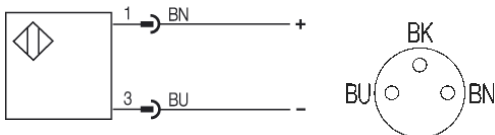
|                                   |                           |
|-----------------------------------|---------------------------|
| Series                            | 08M                       |
| Sensortype                        | through-beam, transmitter |
| Switching frequency               | 500 Hz                    |
| Rated operating distance Sn in mm | 1100                      |
| assured operating distance Sa     | 0...1000                  |
| Indication Switching element on   | yes, red LED              |
| Ambient temperature               | -10...+60°C               |
| Off-delay                         | < 5ms                     |
| Light                             | Infrared, 640nm           |
| Permissible ambient light         | per EN 60947-5-2          |

**Mechanical Data**

|                          |                          |
|--------------------------|--------------------------|
| Measurements             | M8x57,5                  |
| Housing material         | nickel plated brass      |
| Material of sensing face | PMMA                     |
| Degree of protection     | IP67                     |
| Connection               | Connector S49 (M8,3-pin) |
| Weight                   | 13g                      |
| Recommended connector    | BKS-S49-                 |

**Electrical Data**

|                                     |               |
|-------------------------------------|---------------|
| Current                             | DC            |
| Supply Voltage                      | 10...30V DC   |
| Ripple                              | < 10% from UB |
| Frequency of Supply Voltage         | DC            |
| No-load supply current              | <15mA         |
| Short protection                    | yes           |
| Protected against polarity reversal | yes           |



Utilization categories  
 Insulation class

DC 13

Datasheet number:

Definitions see general catalog.  
 If not otherwise noted, ratings according to  
 IEC 60947-5-2 (DIN EN60947-5-2)

Balluff GmbH  
 Schurwaldstrasse 9  
 73765 Neuhausen a.d.F.  
 Phone (07158) 173-0 Fax (07158) 5010

Datenblatt by CD-ROM - 04/2007

**BALLUFF**  
 sensors worldwide